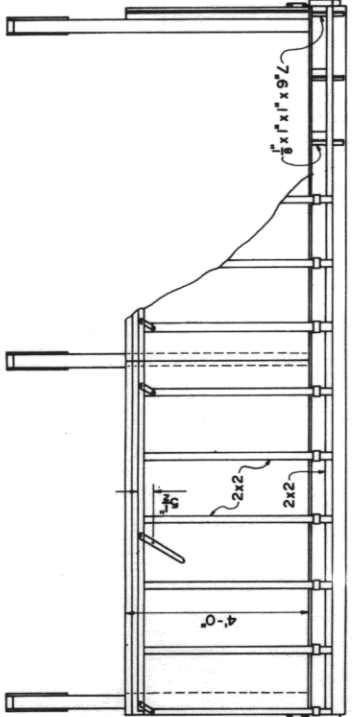
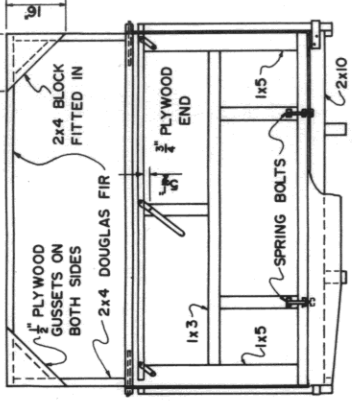


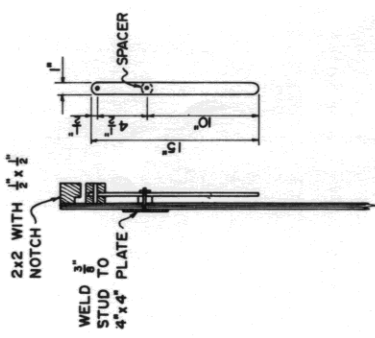
**FRONT END**  
0 1 2 3 IN.



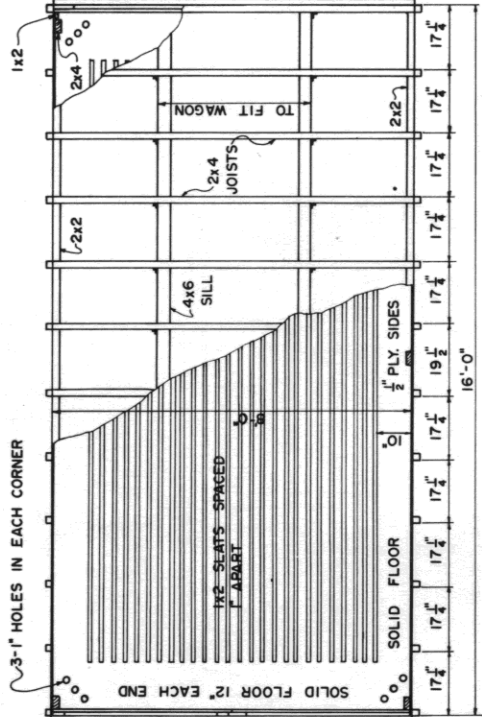
**SIDE VIEW**  
0 1 2 3 IN.



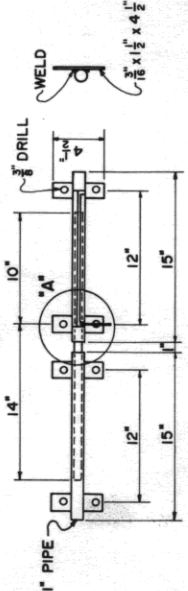
**BACK END**  
0 1 2 3 IN.



**CLAMP LEVER**  
0 1 FT.

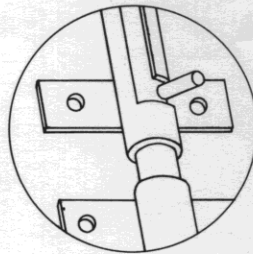


**PLAN**  
0 1 2 3 IN.

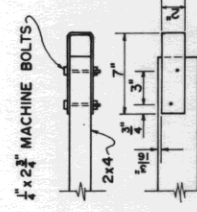


**FRONT GATE BOLT**  
0 1 FT.

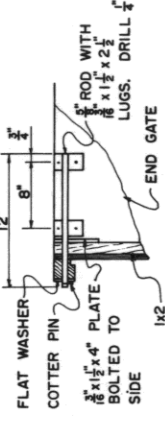
CONSTRUCT SLOTTED PART IN THREE SECTIONS. CUT SLOT IN 12 1/2\"/>



**DETAIL "A"**



**STAKE POCKET**  
FROM 1/8\"/>



**TAIL GATE HINGE**  
0 1 FT.

ALL PLYWOOD TO BE EXTERIOR TYPE